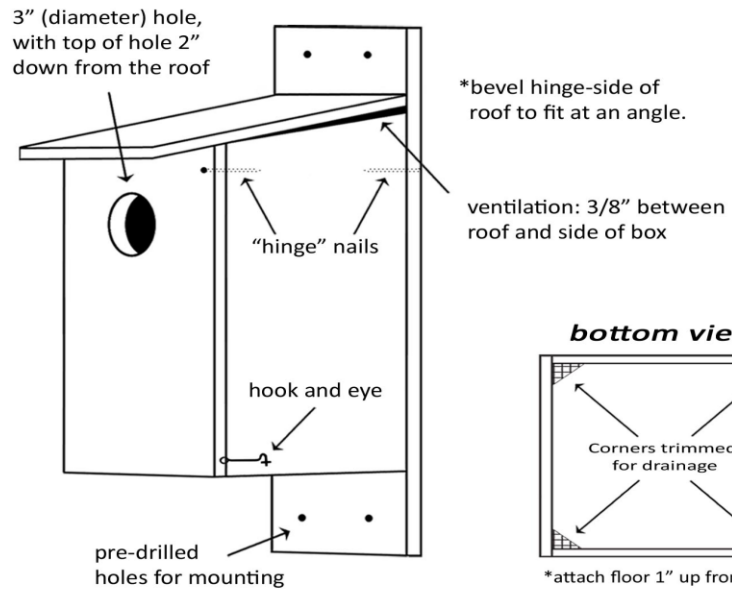
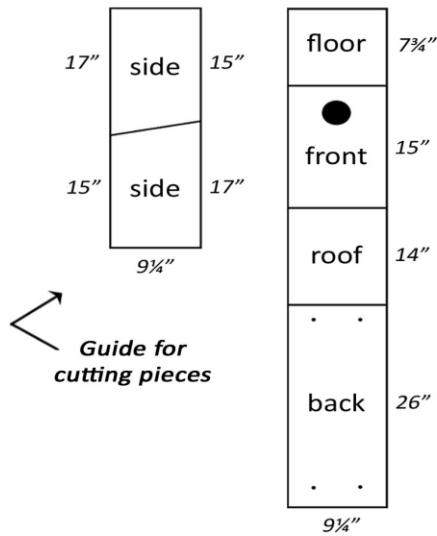




Build an American Kestrel Nest Box



You will need:

- 1" x 10" x 8' untreated cedar or white pine (1" x 10" boards from the store actually measure 3/4" x 9 1/4").
- Two 6d or 8d nails.
- 20-30 1 1/2" wood screws.
- 2" hook and eye closure.
- Coarse wood shavings (not sawdust).
- Four 3" wood screws or lag bolts for mounting.

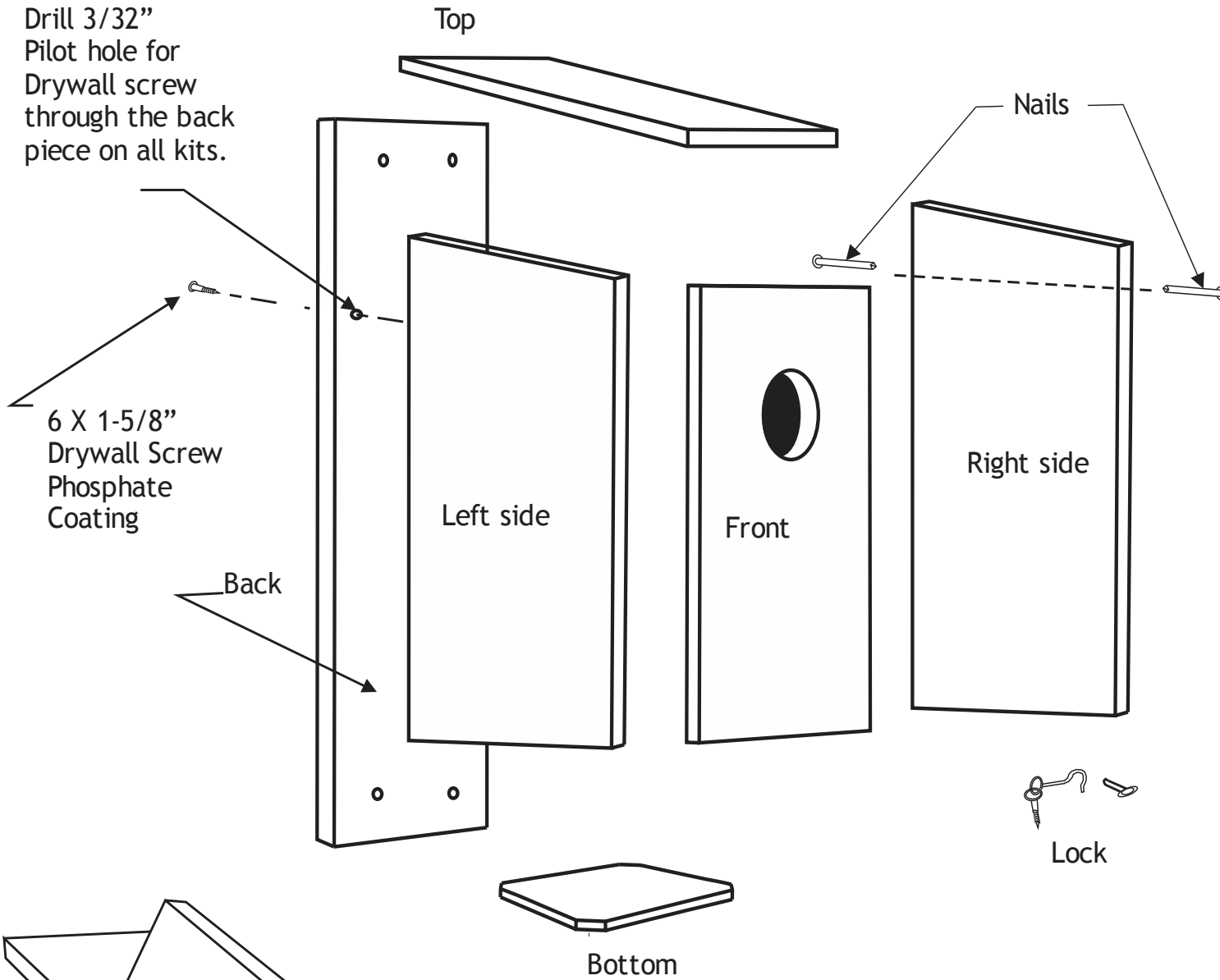
Visit us! kestrel.peregrinefund.org

Instructions

- Cut lumber using a table saw and entrance hole using a hole saw or jig saw. Pre-drill holes in back if using 3" screws to mount box.
- Assemble box as shown, with wood screws. Nail two 6d or 8d nails parallel at top of opening side, so that it swings open. Attach hook and eye at bottom of hinged side to keep it closed.
- Do not use paint or preservatives.
- Place 2" of wood shavings in the bottom of the box for bedding.
- Mount box at least 6 feet off the ground. Try to space boxes at least 1/2 mile apart.
- Install nest box by late February, before the breeding season.

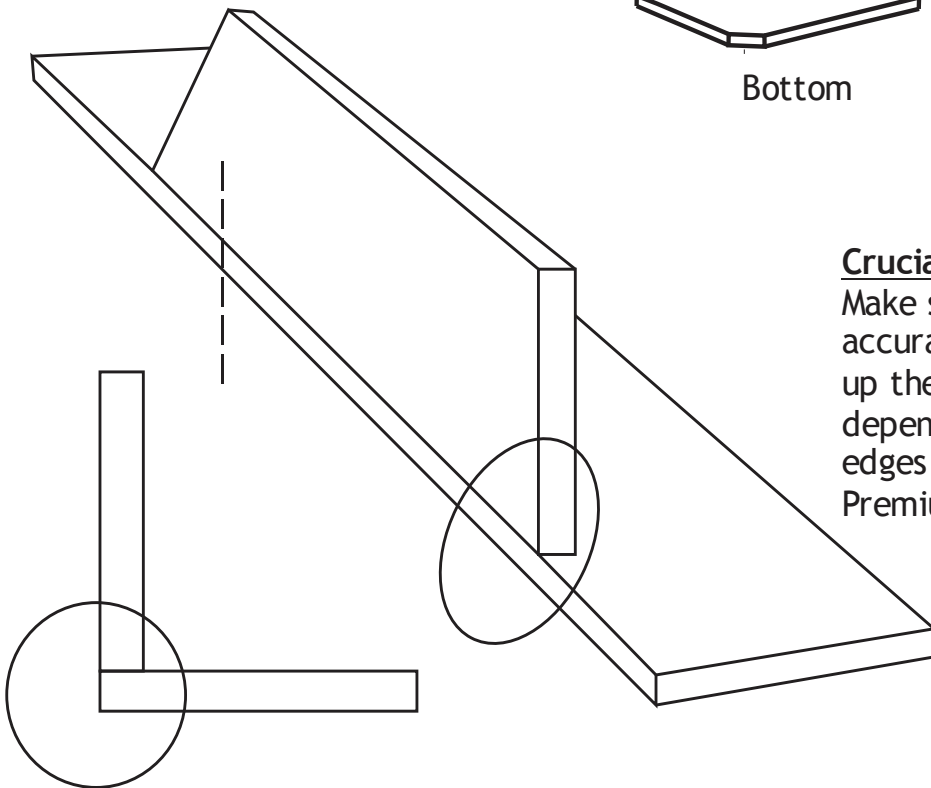


Drill 3/32"
Pilot hole for
Drywall screw
through the back
piece on all kits.



Crucial First Step

Make sure this first step is done as accurately as possible as far as lining up the edges. All other steps will depend on this being done well. All edges are glued with Titebond II Premium Wood Glue (Water proof).



Make sure the left side lines up with back when gluing and screwing together as indicated

