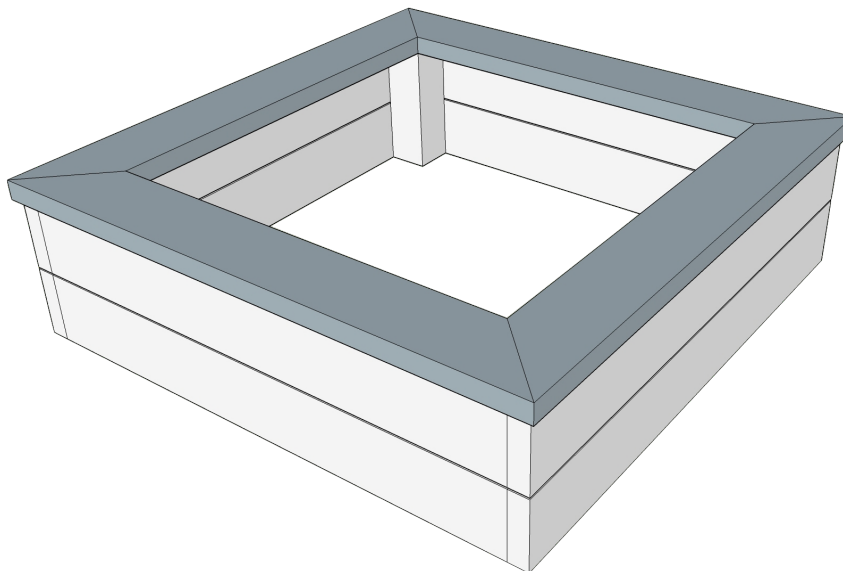


Build a Raised Bed

4' x 4' x 11"d



Tools Needed:

- Tape Measure
- Sliding Miter Saw (or circular saw)
- Power drill
- Drill bits - 3/16" and 1/8"
- Nutsetter - 7/16" (for drill)
- Appropriate driver for deck screws (phillips, star or square, etc)
- Level
- Digging tools
- Hammer or small sledge

Materials Needed:

- (4) 2"x6"x96" con heart redwood boards
- (2) 2"x6"x120" con heart redwood boards
- (1) 4"x4"x96" con heart redwood post
- (32) 1/4 x 3" lag screws - hot dipped galvanized or stainless steel
- (20) 2-1/2" deck screws
- Optional: (4) 24" steel concrete stakes

Instructions:

- With the miter saw, trim the ends of the 2x6x96" boards. Then cut the boards to size. You will need: (4) 45" lengths, and (4) 48" lengths.
- With the miter saw, cut the 4x4x96" post to size. You will need (4) 16" lengths.
- On a flat, hard surface, assemble the sides as shown in Diagram-1 using the 45" boards and 4x4 posts. Align the edges of the 4x4's with the edges of the 45" boards and drill pilot holes through the boards and into the posts using the 3/16" drill bit. Then using the nut setter and drill, drive lag screws into the pilot holes.

- Turn the assembled sides up on end and attach the 48" boards as shown in Diagram-2. Be sure to align the edges of the 48" boards with the face of the 45" boards. Drill pilot holes through the 48" boards into the posts and drive lag screws into the pilot holes.
- Turn the assembled box over so that the post 'legs' are on the ground. For the top cap, measure from the inside corner of one post (the corner closest to the center of the bed), to the inside corner of the next post. This measurement will be the short edge of your top cap. Mark this measurement on the 2x6x120 board and make 45 degree miter cuts to your marks. Remember that your marks are the short edge, so your miter cuts will angle out from there. Repeat the process for all four top cap pieces.

Diagram-1

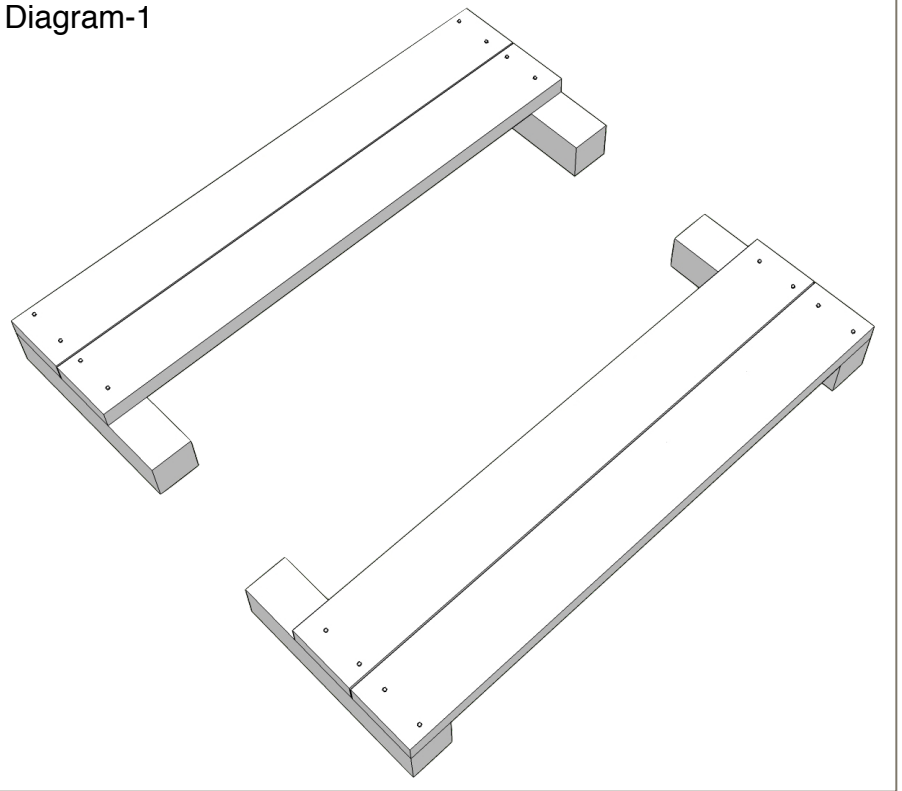
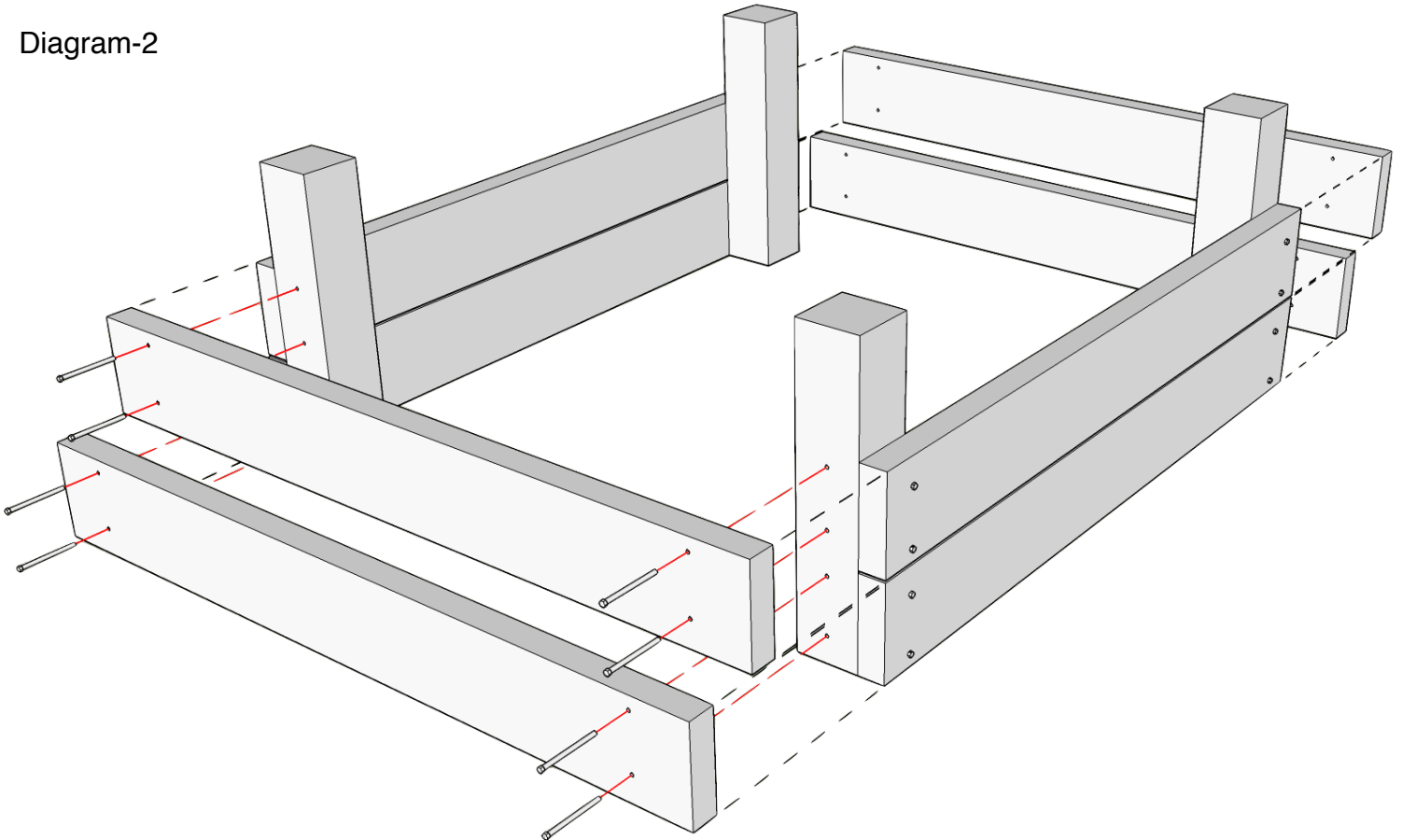
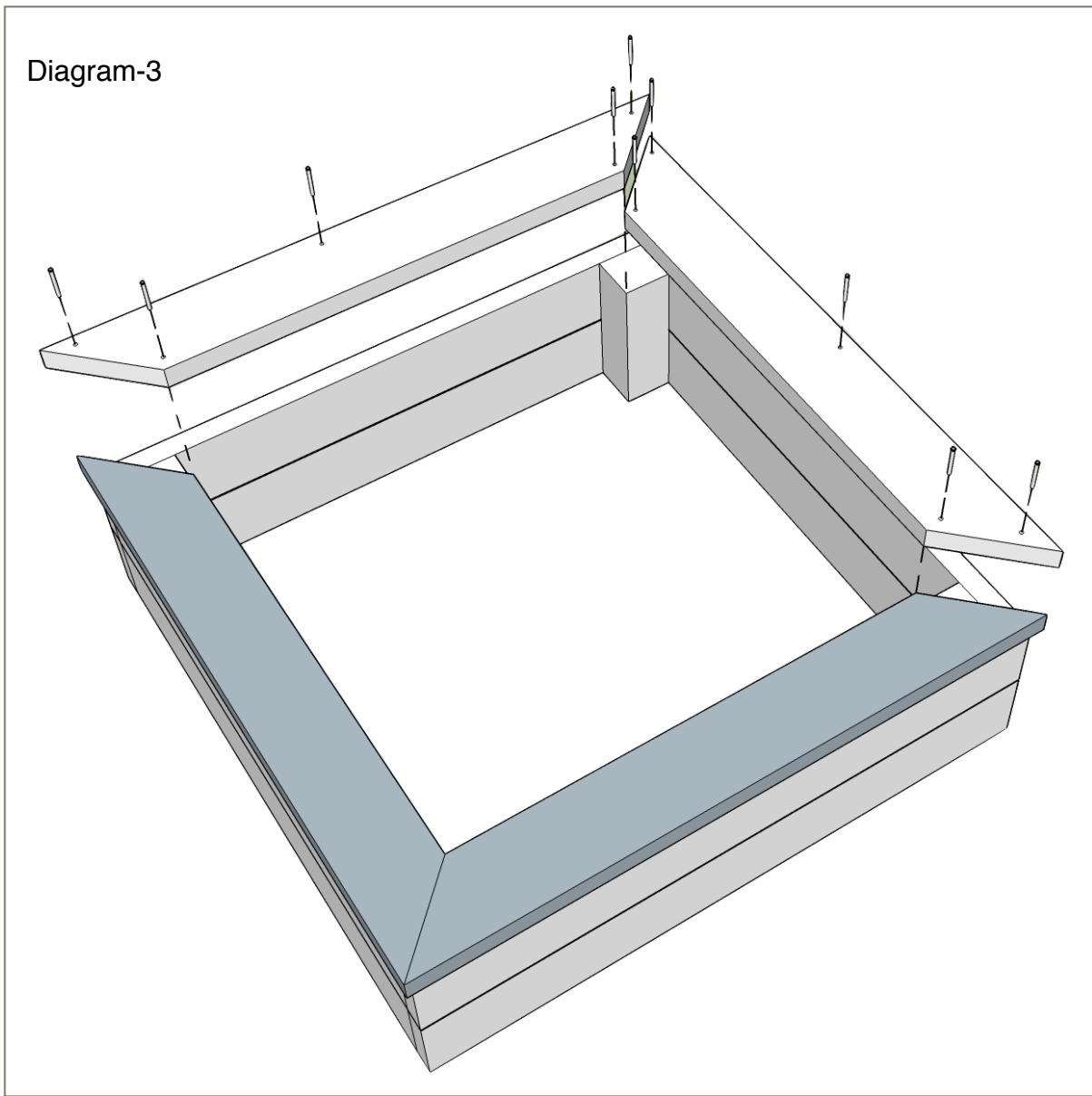


Diagram-2



- Assemble the top cap as shown in Diagram-3. Drill pilot holes and secure each top cap piece to the posts with deck screws. Use additional deck screws to secure the top cap to the board edges—one at each end of the top cap piece and one in the middle.

Diagram-3



- The bed is now ready to be placed in its new home. Place the bed where you want it to be and mark the ground around the legs. Move the bed off to the side and dig out the marked ground so that the legs will sit below ground level. You want the bottom edges of the the boards to float just slightly above ground level, about 1/2" or so. Place the bed back in place with the post legs in the holes and place a level on the top of the edge boards. Continue to dig, fill, and tamp the bottom of each hole until all sides of the box are level.
- Back fill the holes with soil and tamp in place.
- Before filling the bed, loosen the soil inside the bed (a digging fork works best) to a depth of 12" if possible and incorporate some compost in. This will help with drainage and will allow roots to penetrate the soil. Place hardware cloth or cardboard as needed in the bottom of the bed.
- It will take 15 cubic feet or a generous 1/2 cubic yard of material to fill this bed. I suggest using a planter mix (not potting mix or straight compost).

